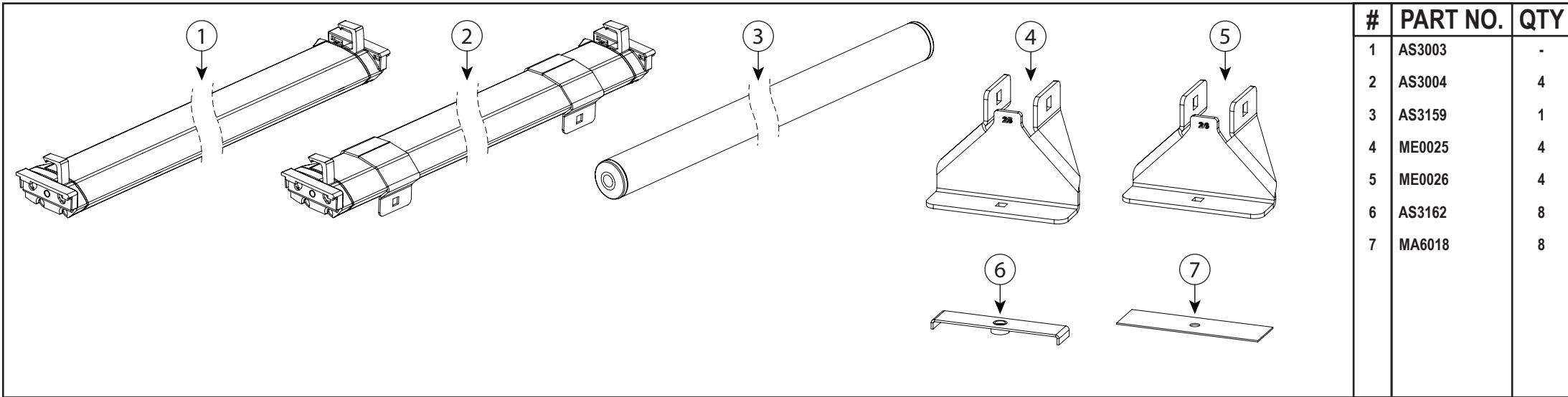
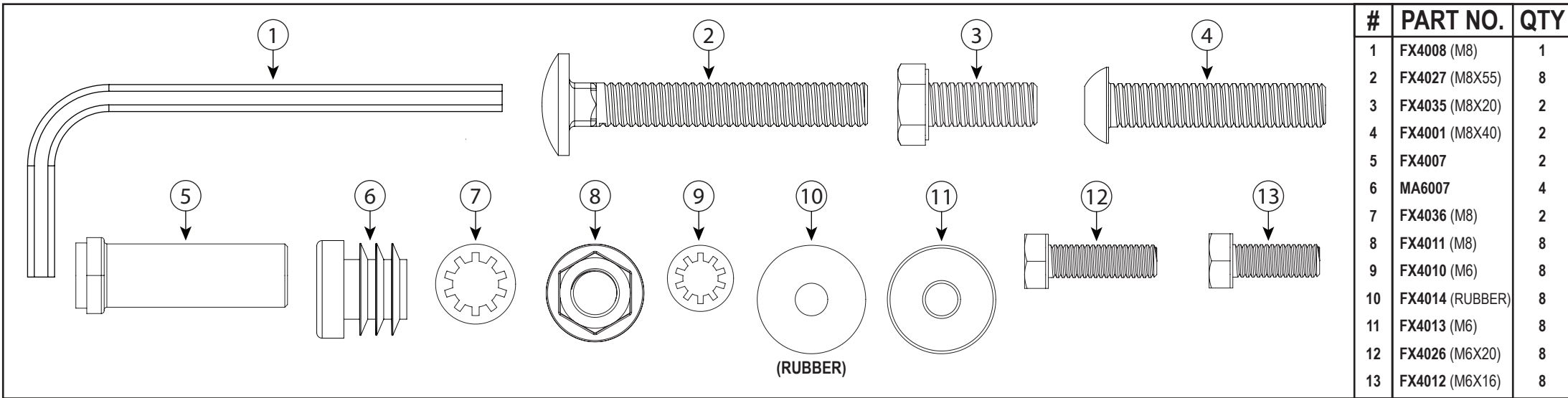


## IN8001

## ULTI Rack



#	PART NO.	QTY
1	AS3003	-
2	AS3004	4
3	AS3159	1
4	ME0025	4
5	ME0026	4
6	AS3162	8
7	MA6018	8



#	PART NO.	QTY
1	FX4008 (M8)	1
2	FX4027 (M8X55)	8
3	FX4035 (M8X20)	2
4	FX4001 (M8X40)	2
5	FX4007	2
6	MA6007	4
7	FX4036 (M8)	2
8	FX4011 (M8)	8
9	FX4010 (M6)	8
10	FX4014 (RUBBER)	8
11	FX4013 (M6)	8
12	FX4026 (M6X20)	8
13	FX4012 (M6X16)	8

This FITTING INSTRUCTION is the property of VAN GUARD ACCESSORIES LTD. and must not be used for manufacturing purposes, copied nor communicated in any way to third parties without written permission from VAN GUARD ACCESSORIES LTD.  
IN8001\_C - IW - 29/03/2017

Van Guard Accessories Ltd  
Fair Oak Close, Exeter Airport Business Park,  
Exeter, Devon, EX5 2JL  
www.van-guard.co.uk

## VGUR-005

**Vehicle:**

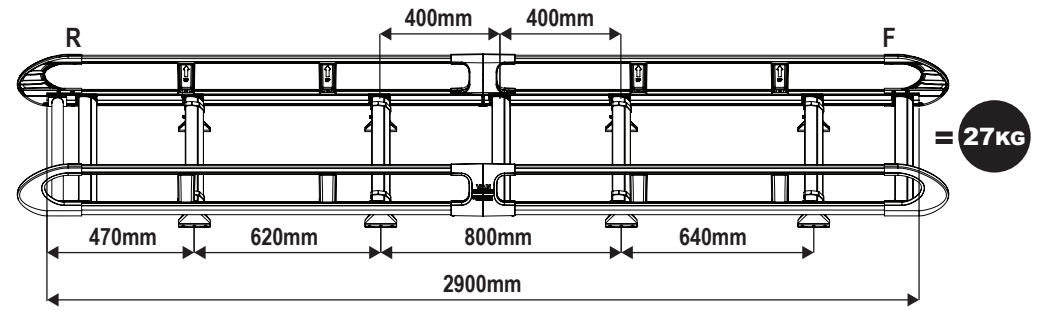
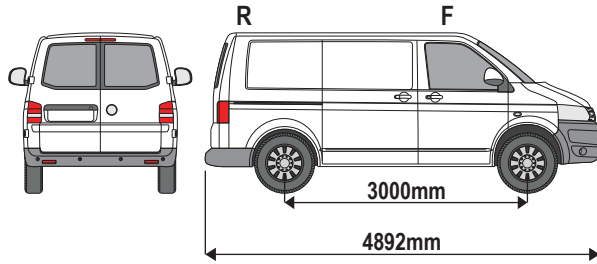
Volkswagen T5: 2002 - 2015

Volkswagen T6: 2015 on

**Wheel Base:** SWB (L1)

**Roof Height:** Low (H1)

**Rear Doors:** Twin



## VGUR-006

**Vehicle:**

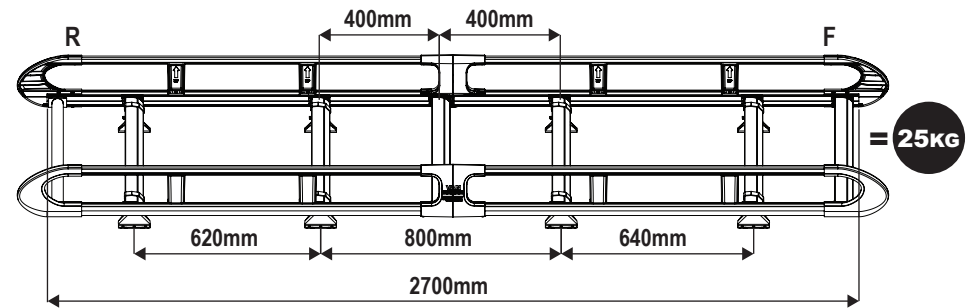
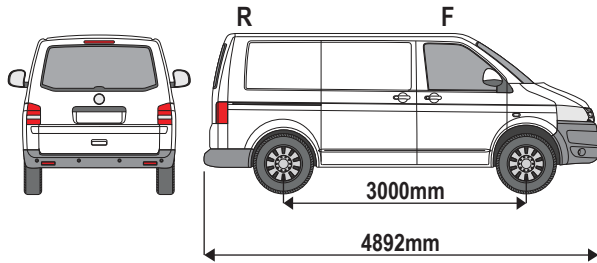
Volkswagen T5: 2002 - 2015

Volkswagen T6: 2015 on

**Wheel Base:** SWB (L1)

**Roof Height:** Low (H1)

**Rear Doors:** Tailgate



## VGUR-007

**Vehicle:**

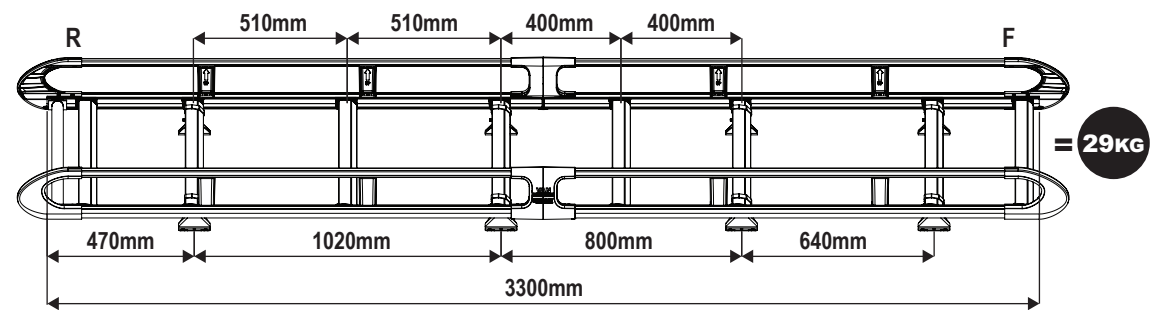
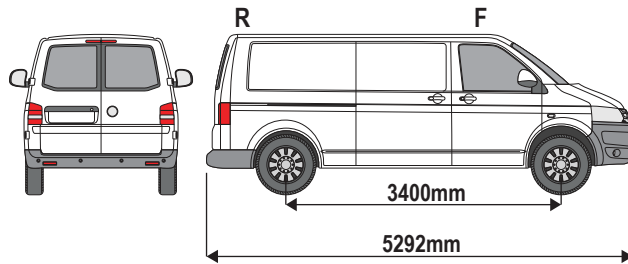
Volkswagen T5: 2002 - 2015

Volkswagen T6: 2015 on

**Wheel Base:** LWB (L2)

**Roof Height:** Low (H1)

**Rear Doors:** Twin



## VGUR-008

**Vehicle:**

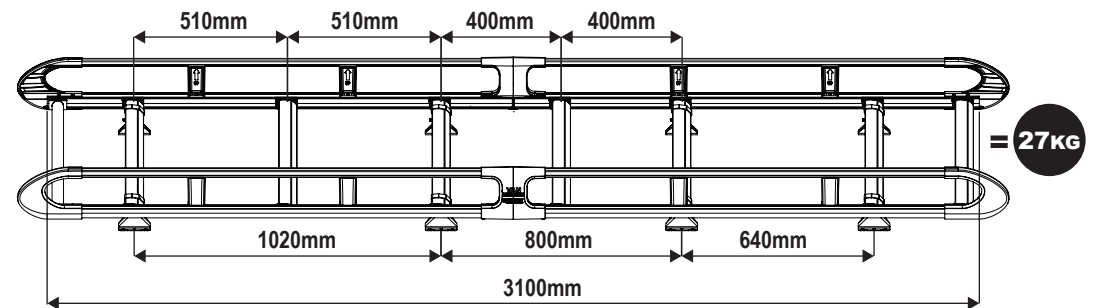
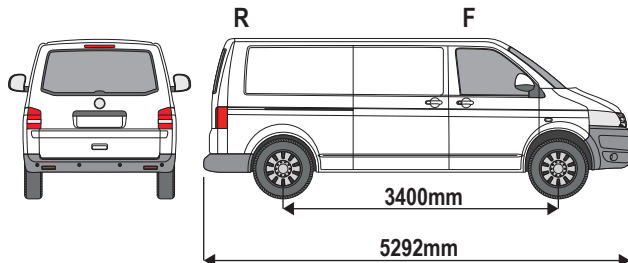
Volkswagen T5: 2002 - 2015

Volkswagen T6: 2015 on

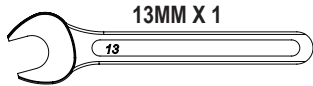
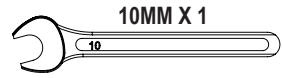
**Wheel Base:** LWB (L2)

**Roof Height:** Low (H1)

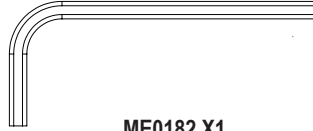
**Rear Doors:** Tailgate



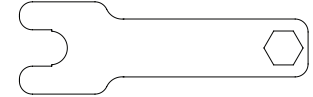
## TOOLS REQUIRED



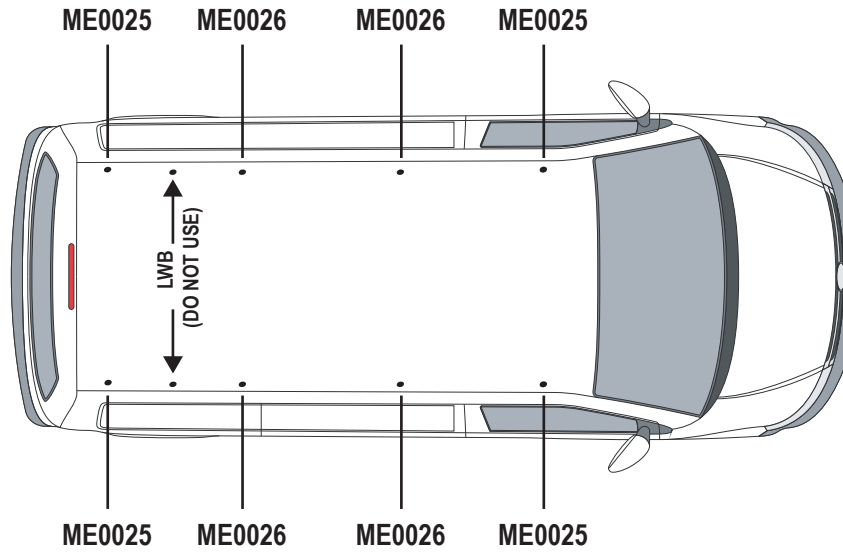
FX4008 (M8) X1  
(SUPPLIED IN FIXING KIT)



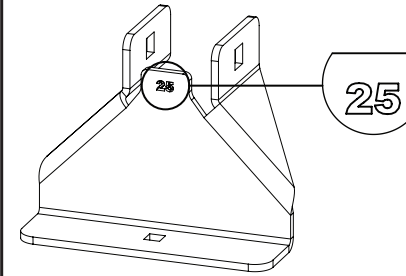
ME0182 X1  
(SUPPLIED IN FIXING KIT)



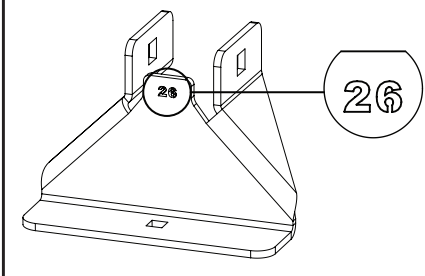
# 1



## ME0025

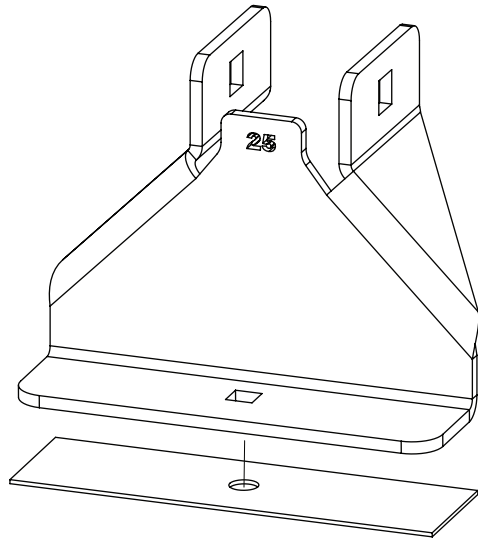


## ME0026



# 2

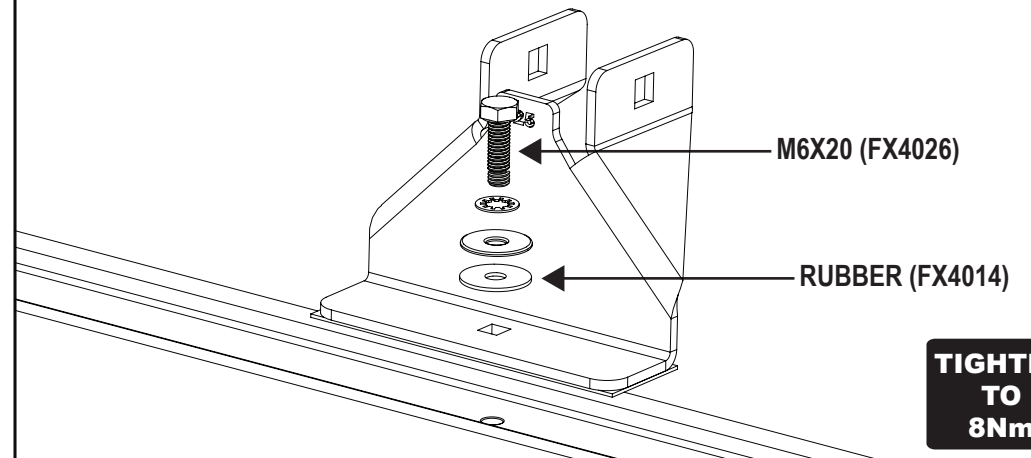
Stick rubber pads to the underside of the roof brackets.



# 3.1

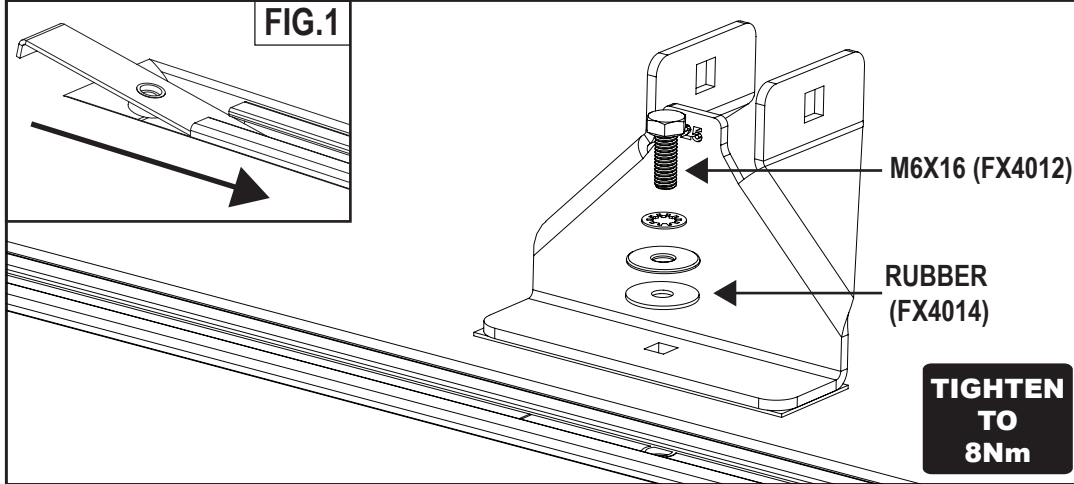
The following step is for vehicles with threaded insert fixing points. If fitting to a vehicle with a t-rail fitting please refer to step 3.2.

Remove roof plugs to reveal the vehicles fixing points. Secure the roof brackets to the fixing points using M6x20 hex bolts, M6 shakeproof washers, M6 washers and rubber washers.

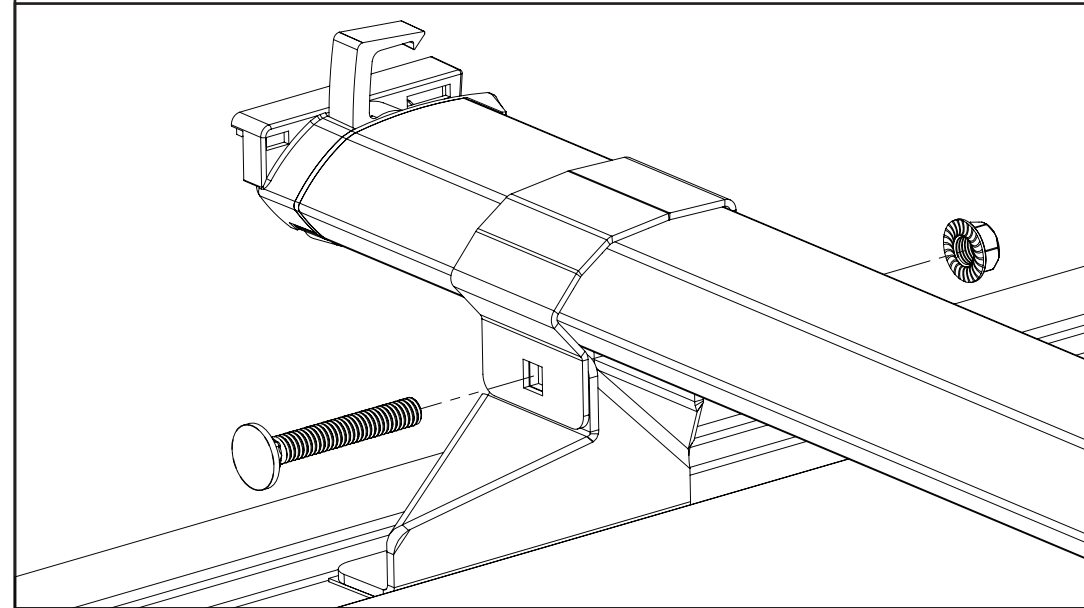


**3.2** The following step is for vehicles fitted with a t-rail. If fitting to a vehicle with threaded insert fixing points please refer to step 3.1.

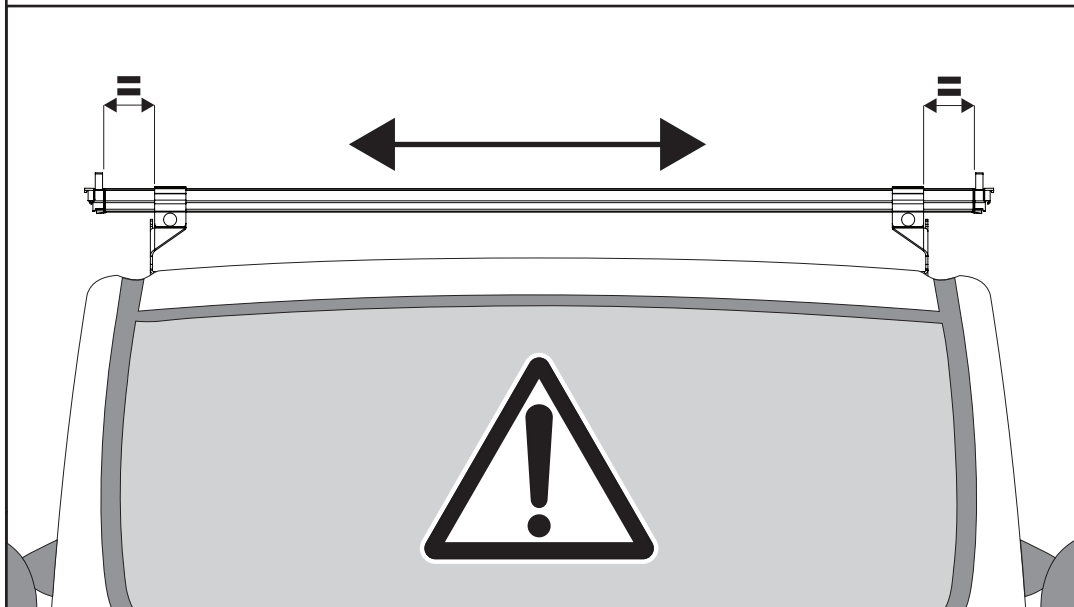
Slide the rail plates into the t-rail as per FIG.1. Position the rail plates using the dimensions shown on page 2. Secure the roof brackets to the rail plates using M6x16 hex bolts, M6 shakeproof washers, M6 washers and rubber washers.



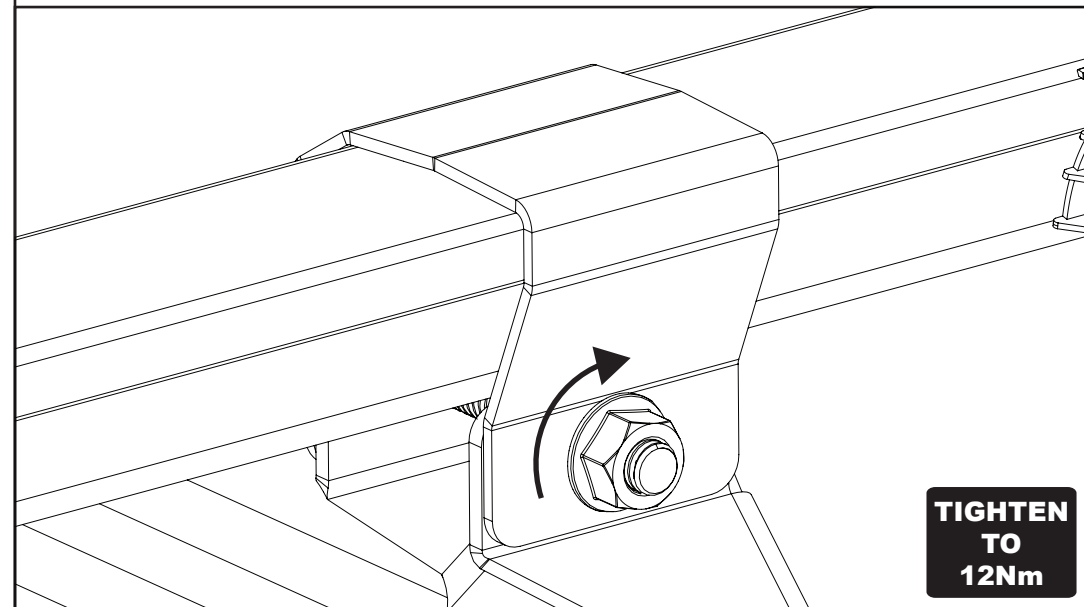
**4** Loosely secure roof bars to the roof brackets using M8x55 coach bolts and M8 flange nuts.



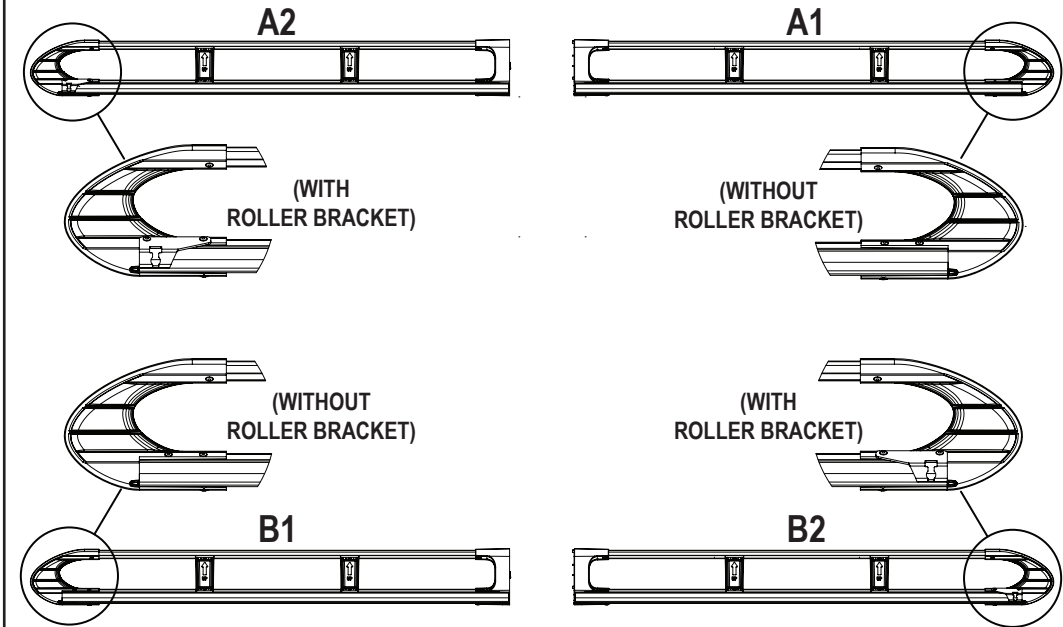
**5** Adjust the roof bars to ensure that they're evenly spaced on the vehicle.



**6** Tighten the M8 flange nuts.

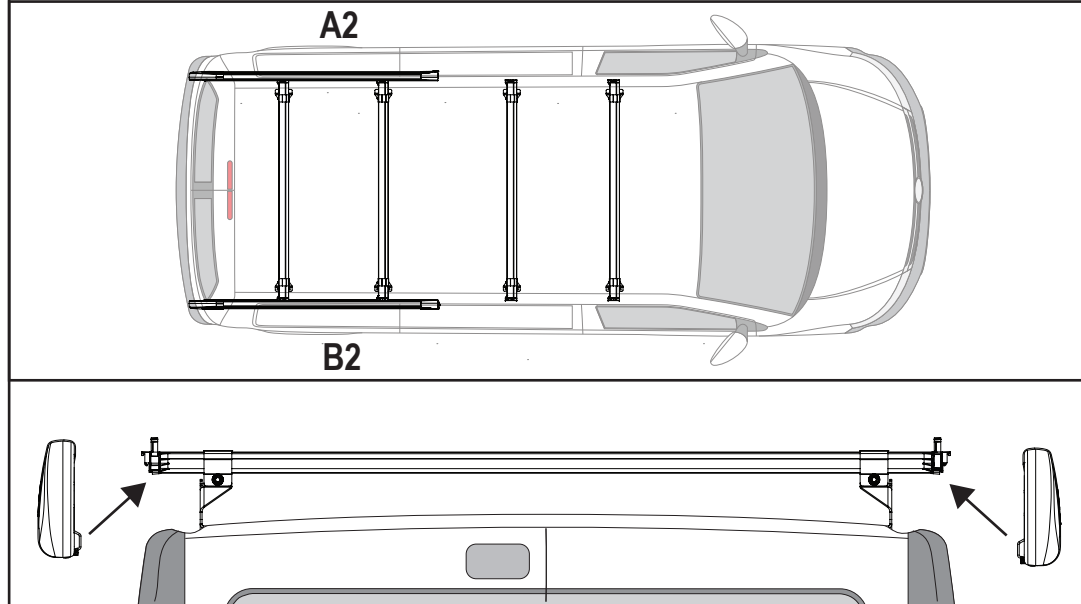


# 7.1

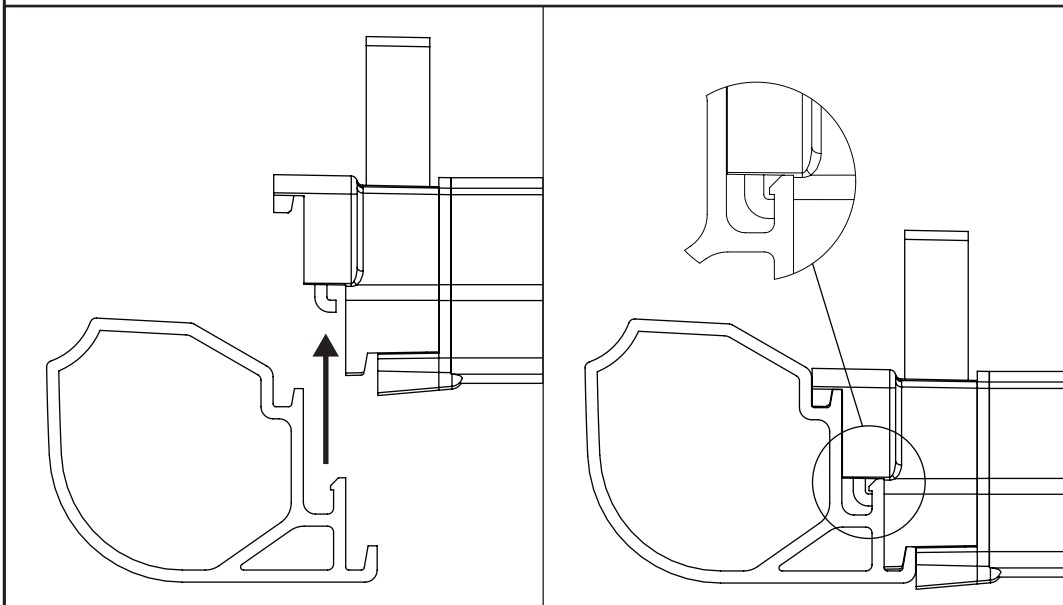


# 7.2

Lift the rear side rail sections into position (A2 & B2). Ensure that the side rails are connected to the roof bars correctly as per step 7.3.

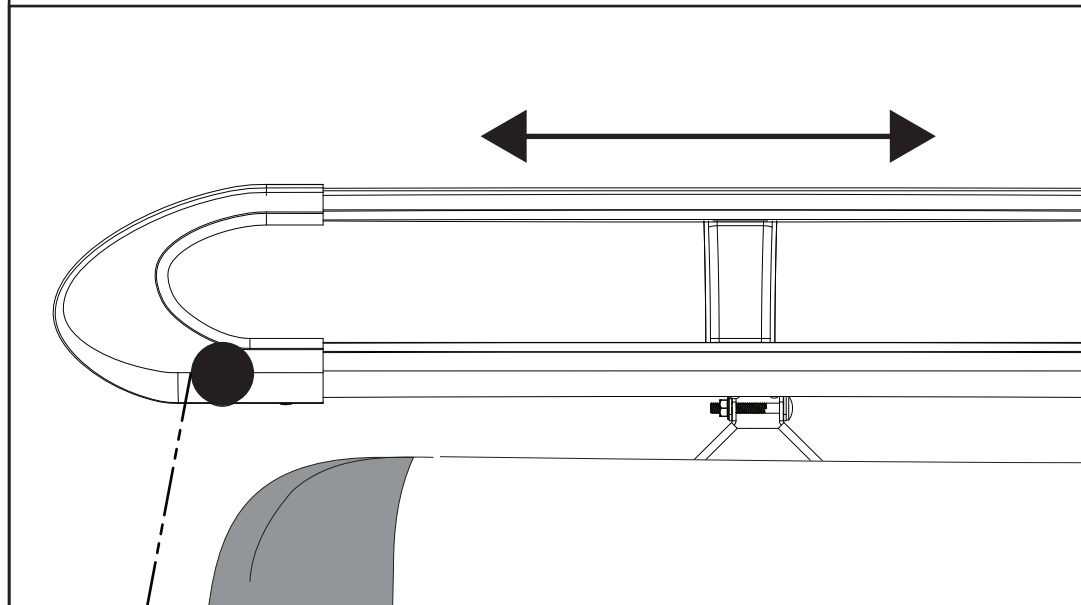


# 7.3

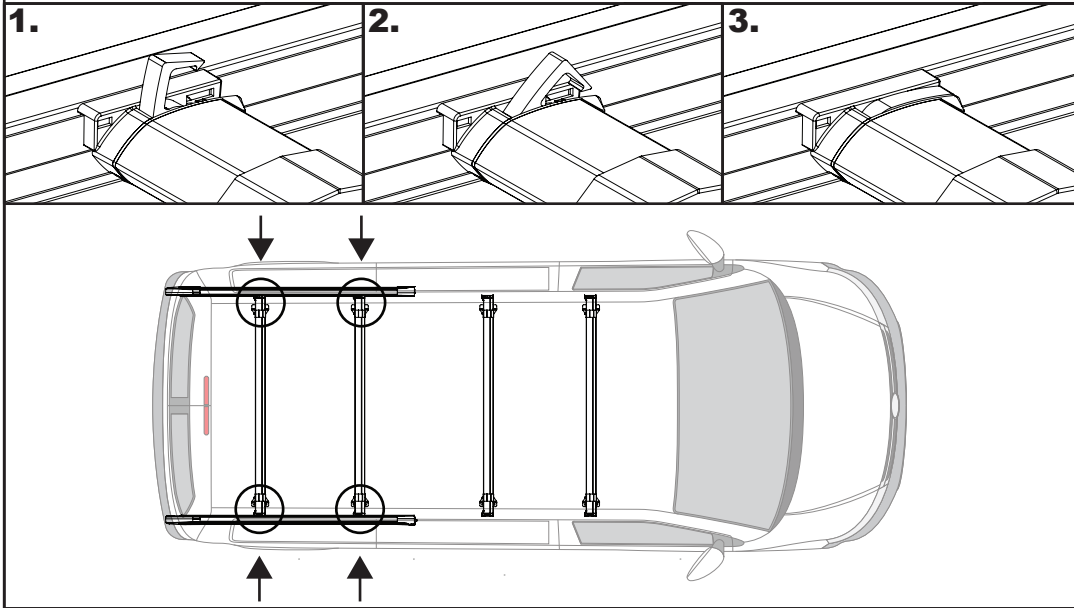


# 8

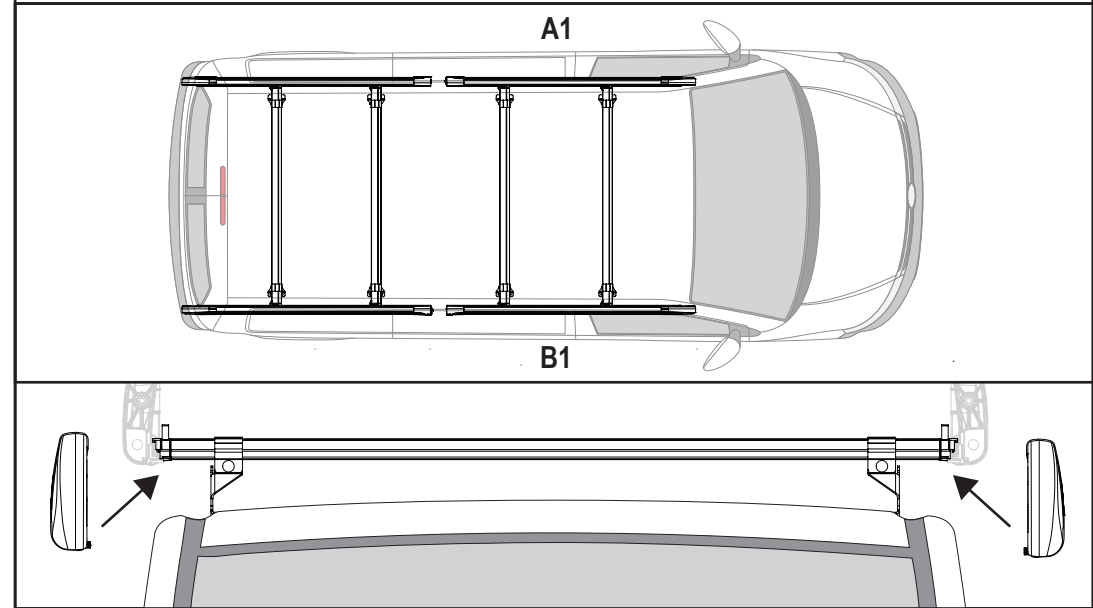
Adjust the position of the rear side rails to suit the rear roller. If fitting to a tailgate model, adjust position with the tailgate open to ensure enough clearance.



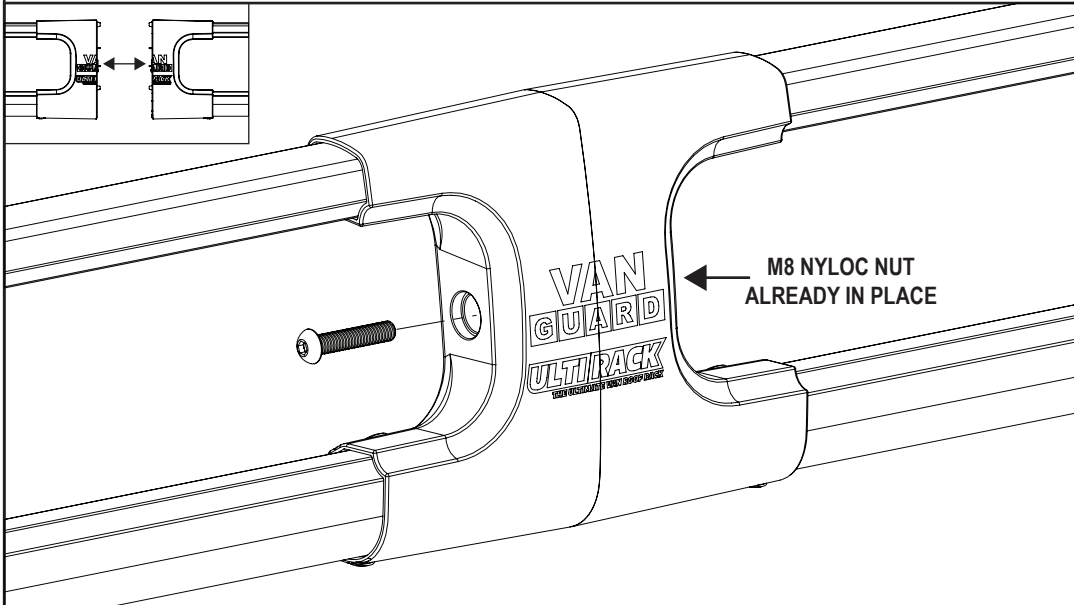
**9** Push on the lever to secure the 2X rear fixed roof bars into position.



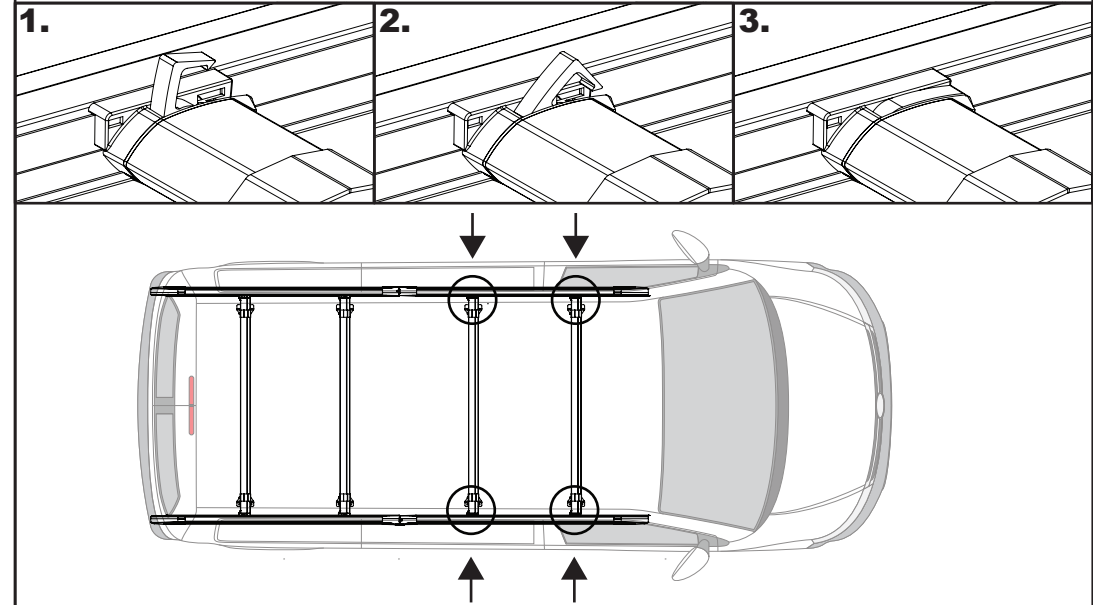
**10** Lift the front side rail sections into position (A1 & B1). Ensure that the side rails are connected to the roof bars correctly as per step 7.3.



**11** Slide the front side rail up to the rear side rail and secure together using 1X M8x40 button bolt. Tighten using the supplied tool (FX4008). Repeat for the other side.



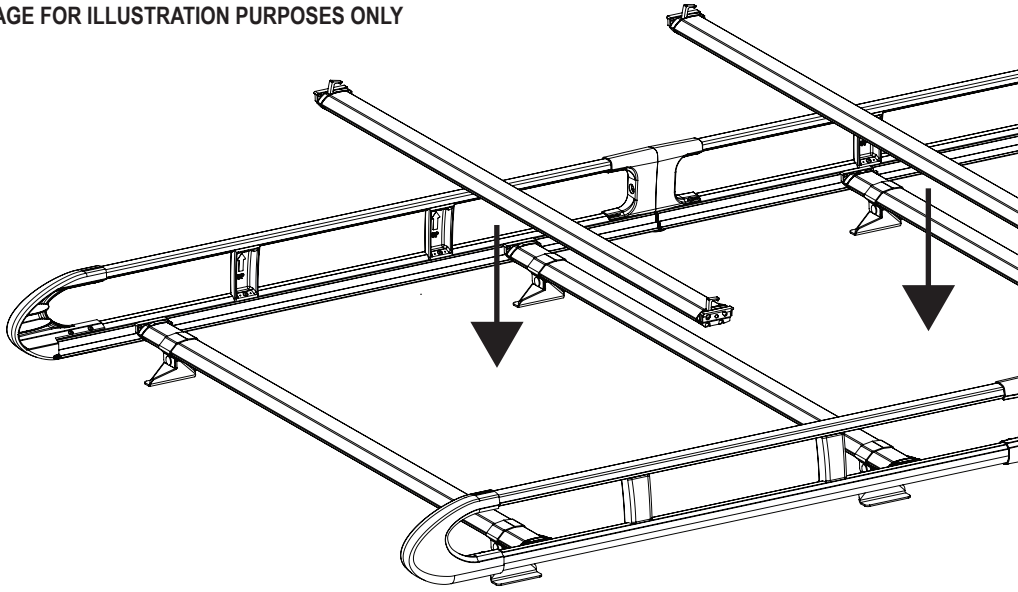
**12** Push on the lever to secure the 2X front fixed roof bars into position.



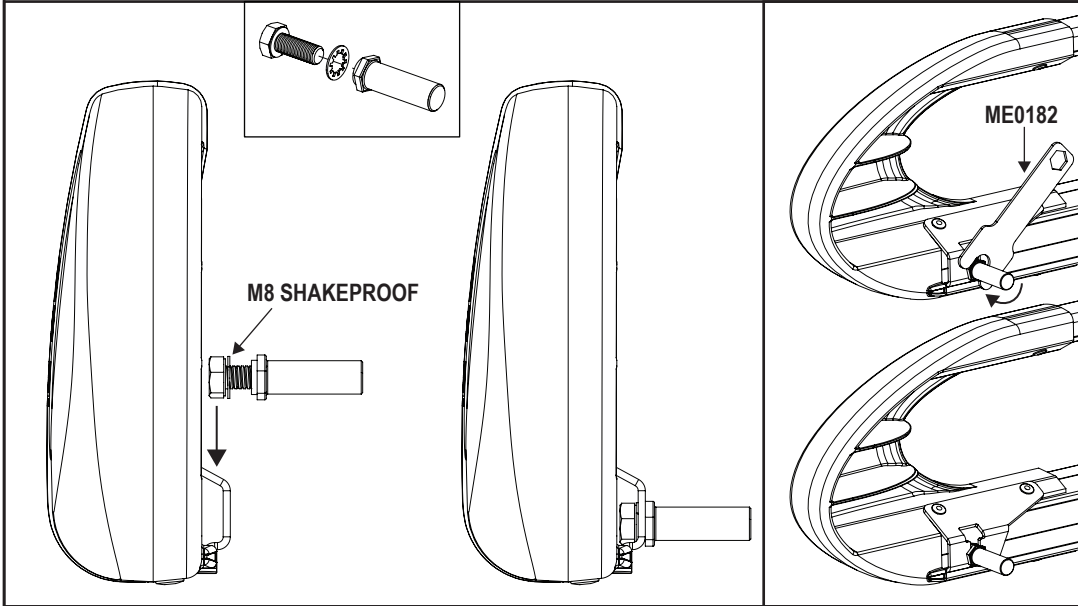


**13** Place the remaining roof bars into position. See page 2 for the recommended distances between the roof bars. Once in position push on the lever to secure in place.

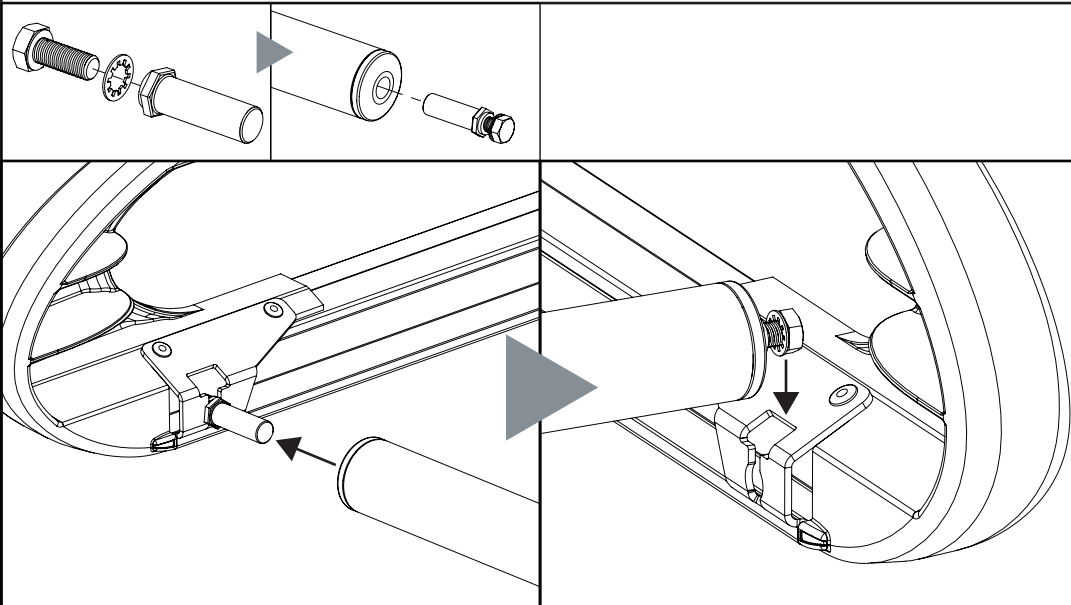
\*IMAGE FOR ILLUSTRATION PURPOSES ONLY



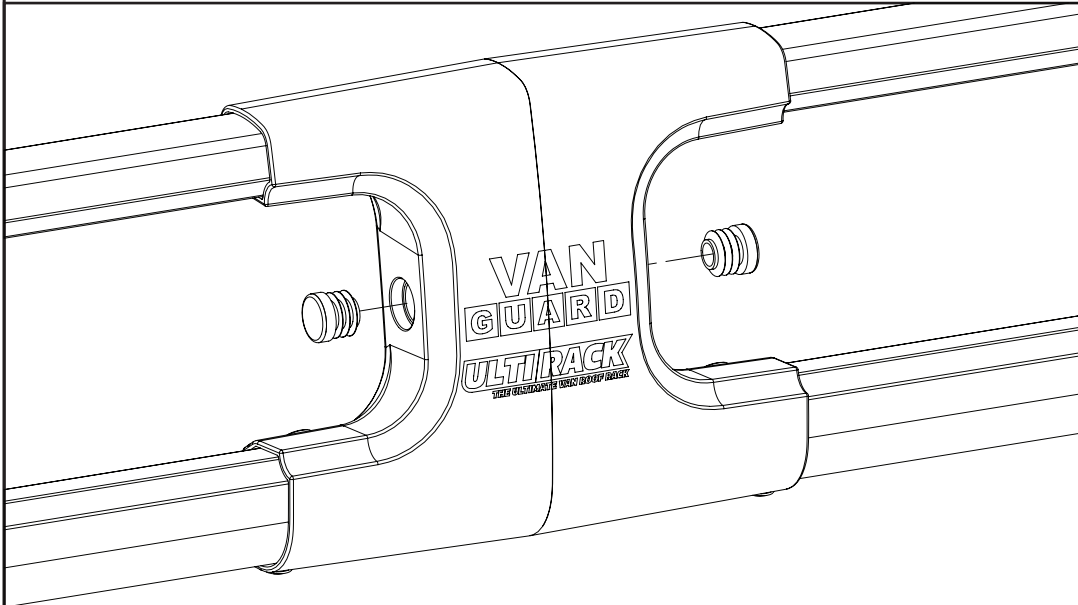
**14** Secure the roller spigot to the **left hand roller bracket only** using a M8x20 hex bolt and a M8 shakeproof washer. Ensure that the shakeproof is on the inside of the roller bracket and that the spigot sits flush / straight. Tighten using the supplied tool.



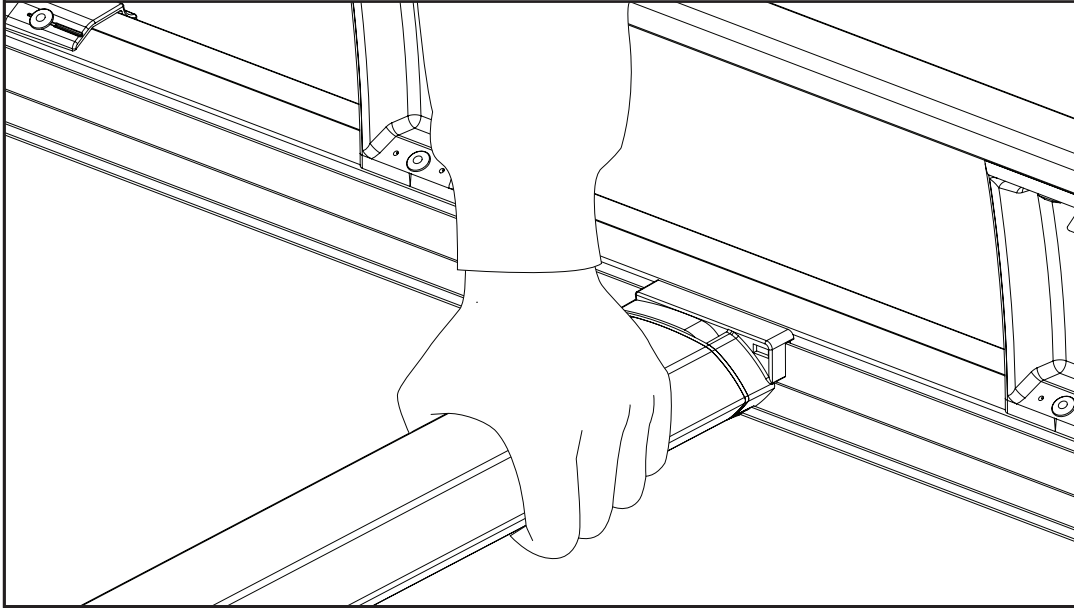
**15** Assemble the roller spigot, M8x20 hex bolt and M8 shakeproof washer together. Place the assembly into the roller. Slide the roller onto the spigot fitted in step 14 and drop the other end into position. Tighten using the supplied tool (ME0182).



**16** Push the plastic bungs into position (X4).



**17** Check bars are fully secured.



**18** Once fitted check fixings and parts to ensure they have been fully secured and tightened. Regularly check all fixings.



**NOTES:**

Maximum load capacity: 150KG (Including rack weight - please refer to page 2.) (Maximum load must be in accordance with the vehicle manufacturer's load bearing capacity. Please refer to the vehicles handbook.)  
Regularly check all fixings.  
Retain these instructions for future reference.