

IN8007

ULTI Rack

#	PART NO.	QTY
1	AS3001	-
2	AS3002	2
3	AS3158	1
4	ME0011	1
5	ME0012	1
6	ME0013	1
7	ME0014	1
8	MA6017	4

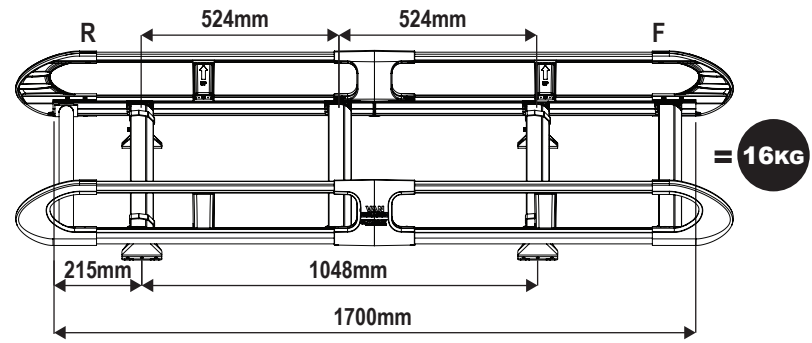
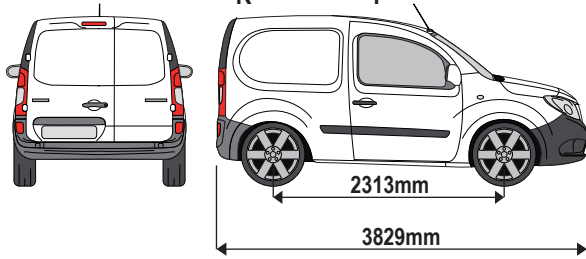
#	PART NO.	QTY
1	FX4008 (M8)	1
2	FX4027 (M8X55)	4
3	FX4035 (M8X20)	2
4	FX4001 (M8X40)	2
5	FX4007	2
6	MA6007	4
7	FX4036 (M8)	2
8	FX4011 (M8)	4
9	FX4018 (M8X20)	4
10	FX4019 (M8)	4
11	FX4020 (M8)	4

This FITTING INSTRUCTION is the property of VAN GUARD ACCESSORIES LTD. and must not be used for manufacturing purposes, copied nor communicated in any way to third parties without written permission from VAN GUARD ACCESSORIES LTD.
IN8007_B - IW - 22/01/2016

Van Guard Accessories Ltd
Fair Oak Close, Exeter Airport Business Park,
Exeter, Devon, EX5 2UL
www.van-guard.co.uk

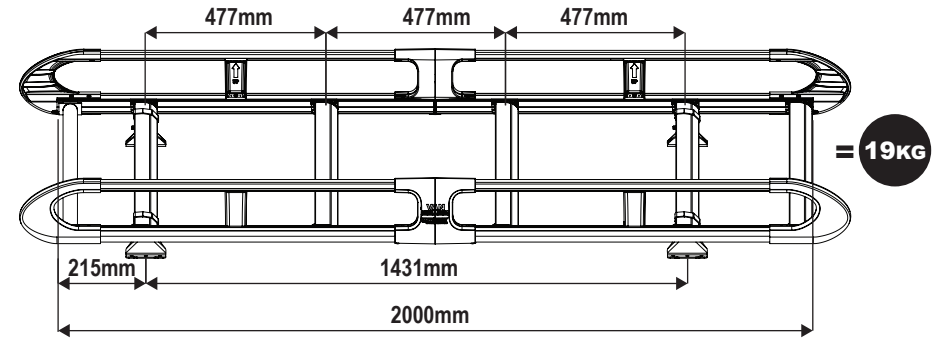
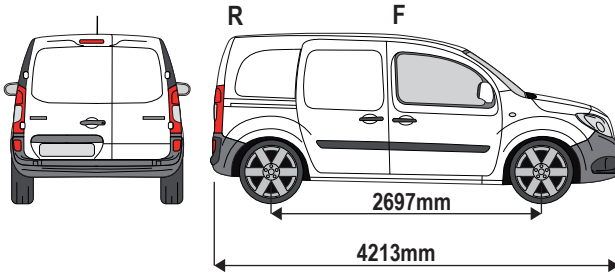
VGUR-022

Vehicle:
Renault Kangoo: 2009 on
Mercedes Citan: 2012 on
Wheel Base: SWB (L1)
Roof Height: Standard (H1)
Rear Doors: Twin

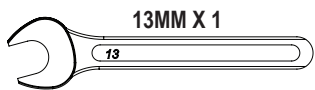


VGUR-023

Vehicle:
Renault Kangoo: 2009 on
Mercedes Citan: 2012 on
Wheel Base: MWB (L2)
Roof Height: Standard (H1)
Rear Doors: Twin



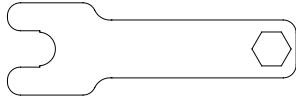
TOOLS REQUIRED



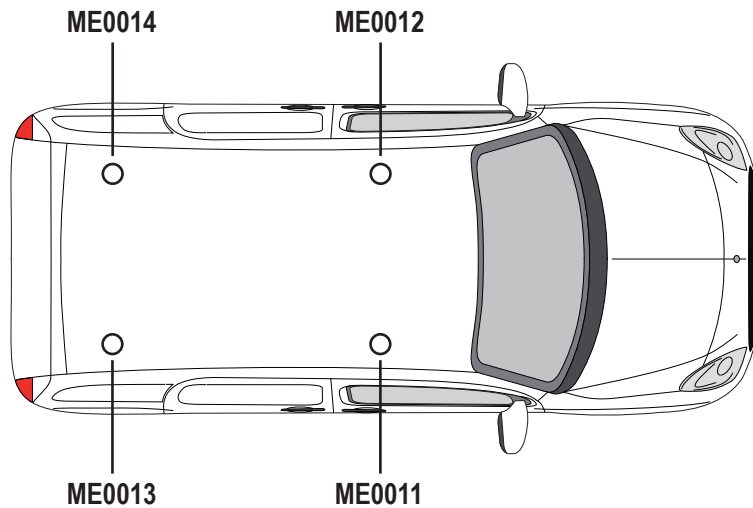
FX4008 (M8) X1
(SUPPLIED IN FIXING KIT)



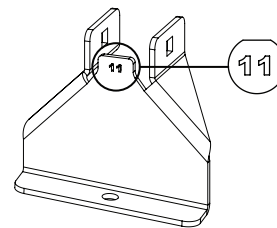
ME0182 X1
(SUPPLIED IN FIXING KIT)



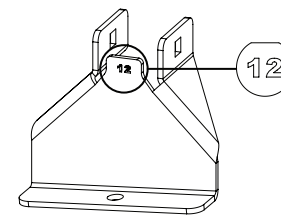
1



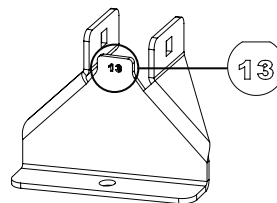
ME0011



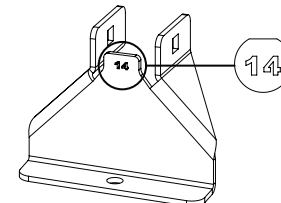
ME0012



ME0013

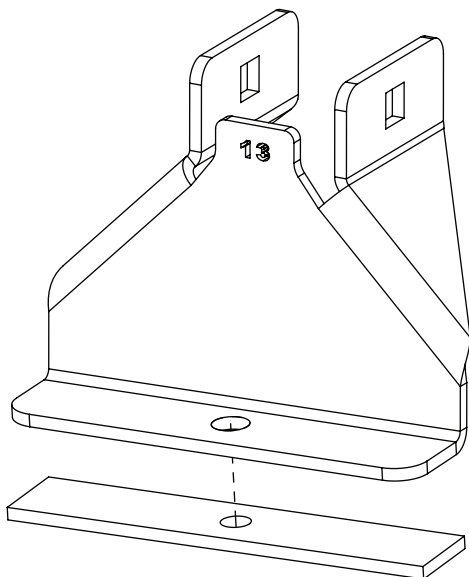


ME0014



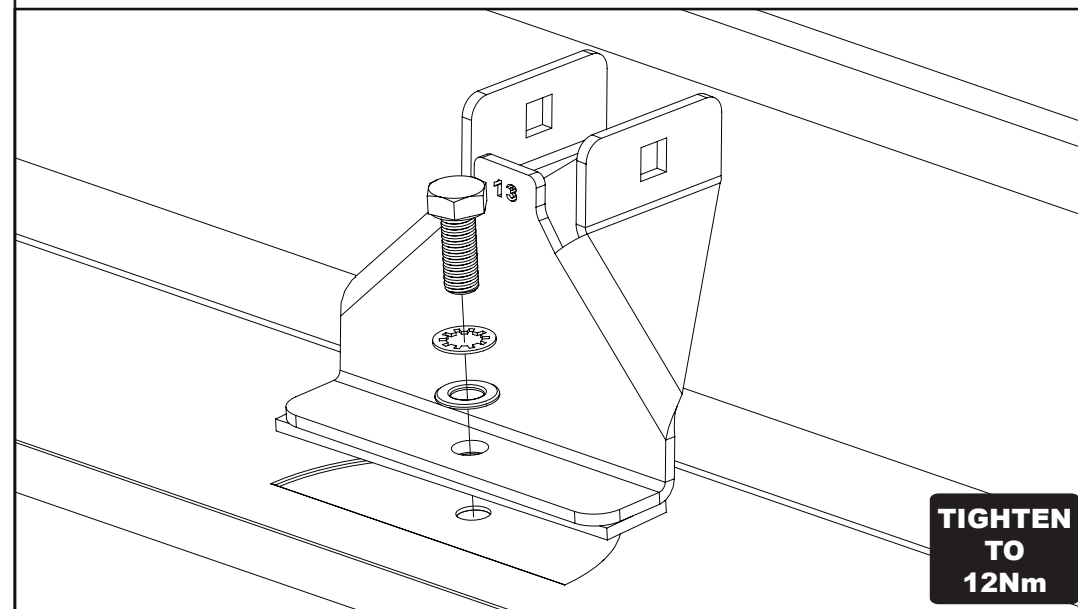
2

Stick rubber pads to the underside of the roof brackets.



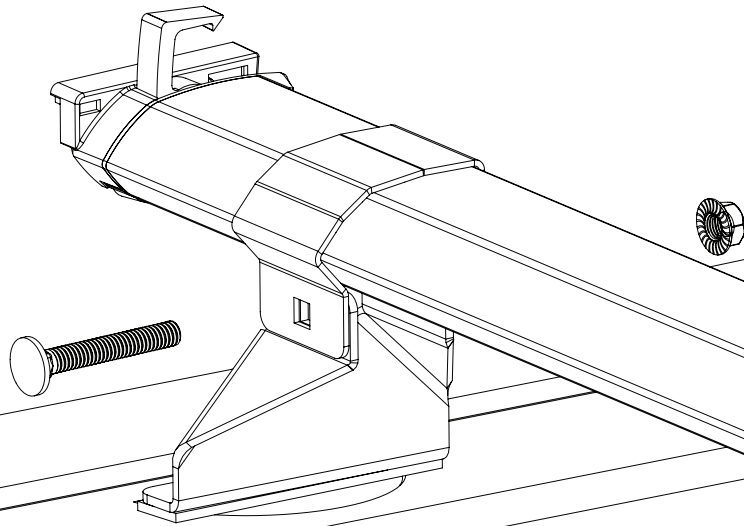
3

Remove roof plugs to reveal the vehicles fixing points. Secure roof brackets to the fixing points using M8x20 hex bolts, M8 shakeproof washers and M8 washers.

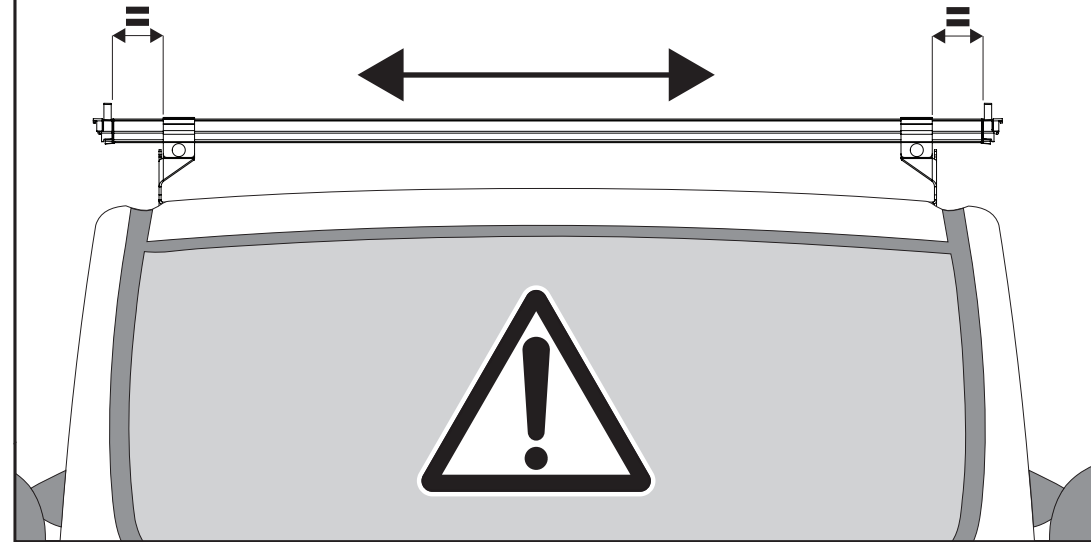


**TIGHTEN
TO
12Nm**

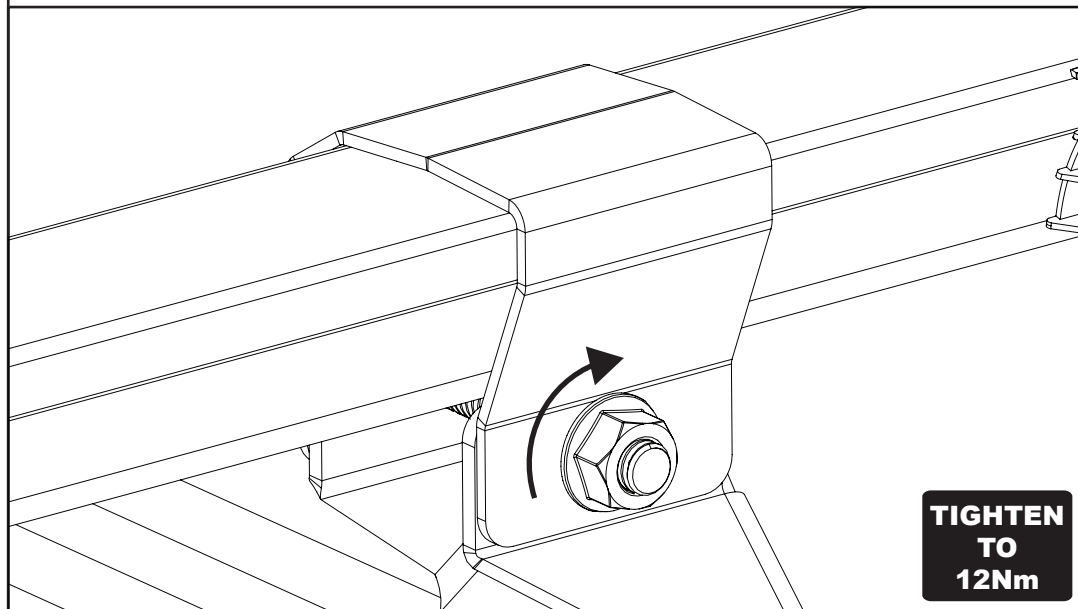
4 Loosely secure roof bars to the roof brackets using M8x55 coach bolts and M8 flange nuts.



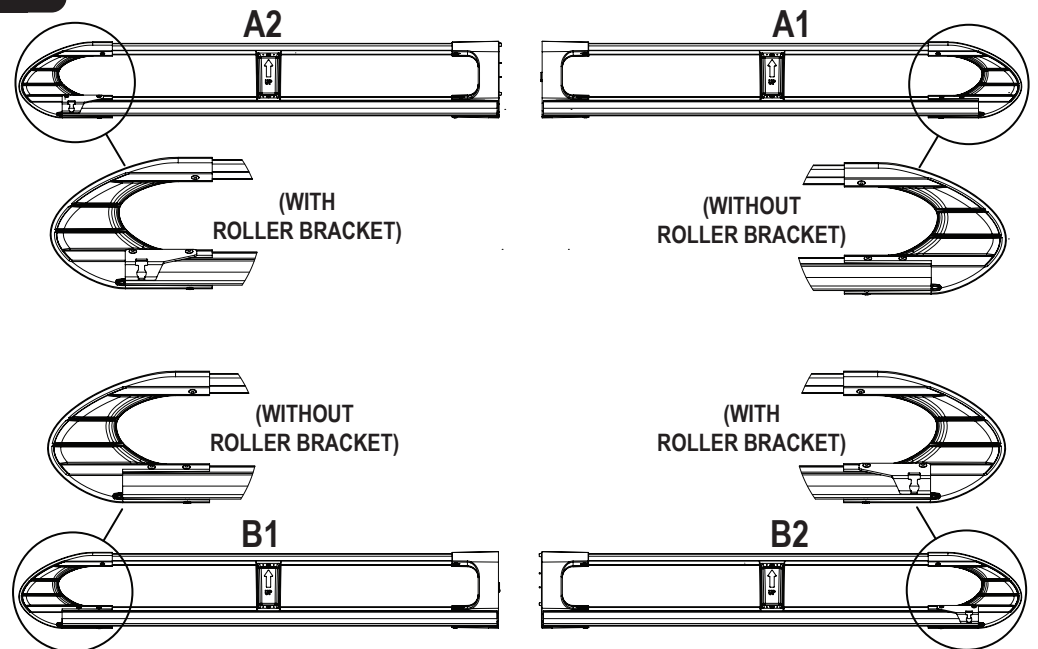
5 Adjust the roof bars to ensure that they're evenly spaced on the vehicle.



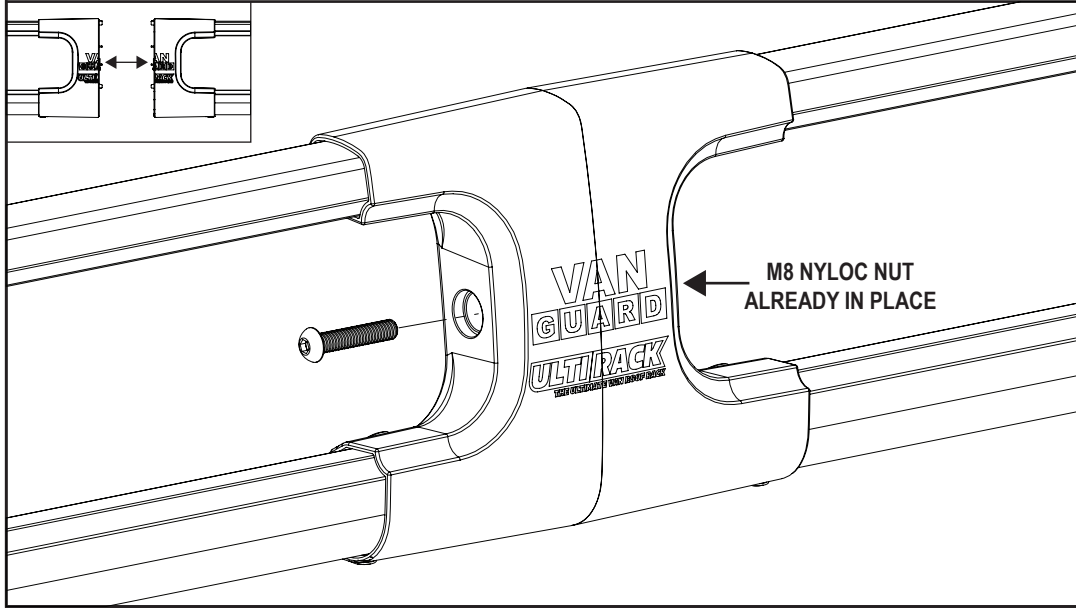
6 Tighten the M8 flange nuts.



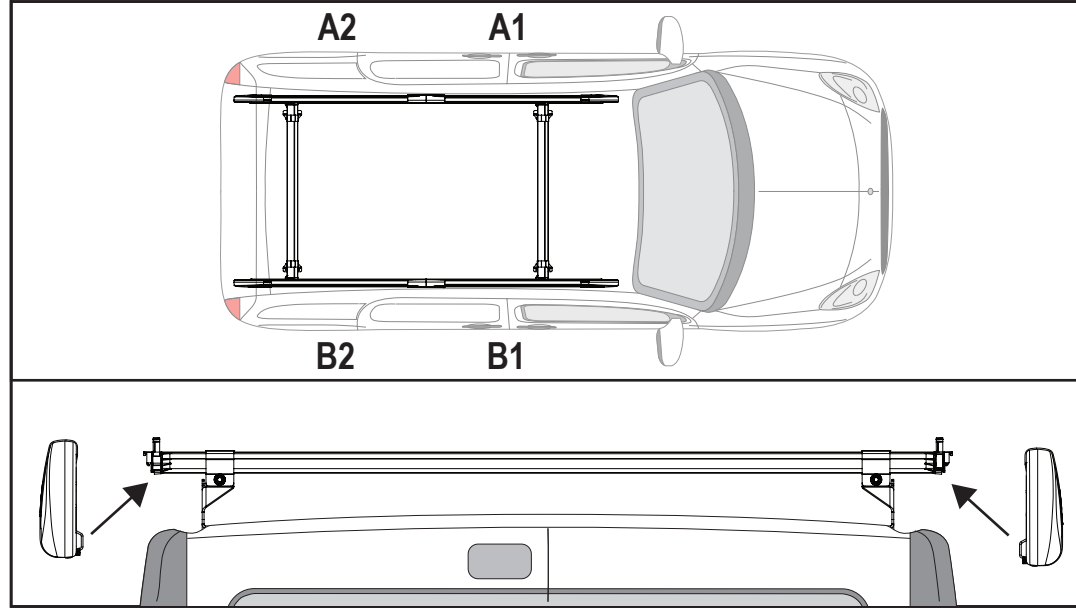
7.1



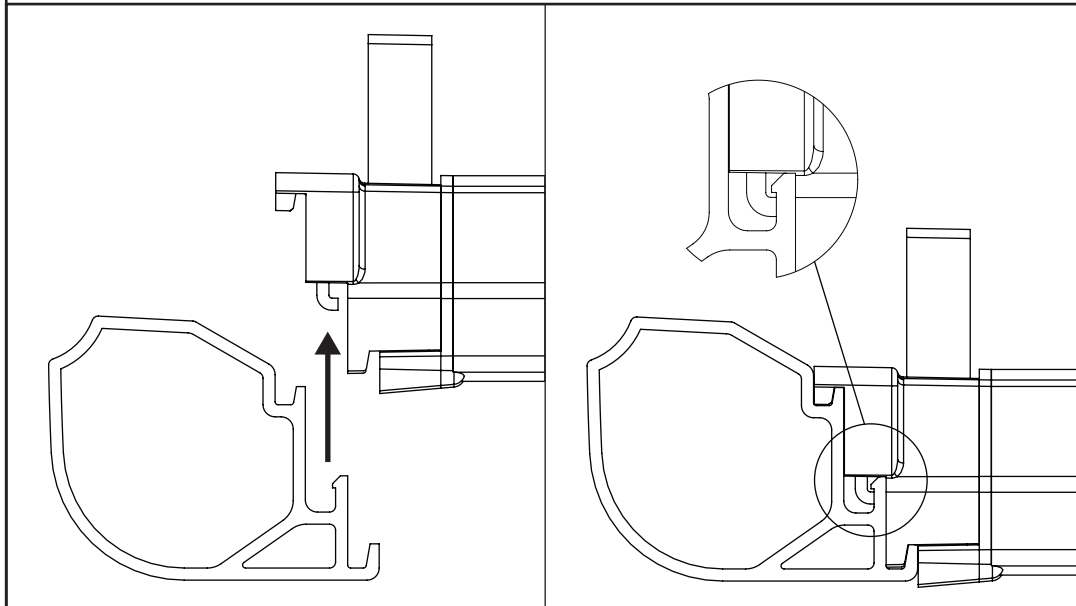
7.2 Assemble the side rails together using 1X M8x40 button bolt. Tighten using the supplied tool (FX4008). Repeat for the other side.



8.1 Lift the side rails into position. Ensure that the side rails are connected to the roof bars correctly as per step 8.2.

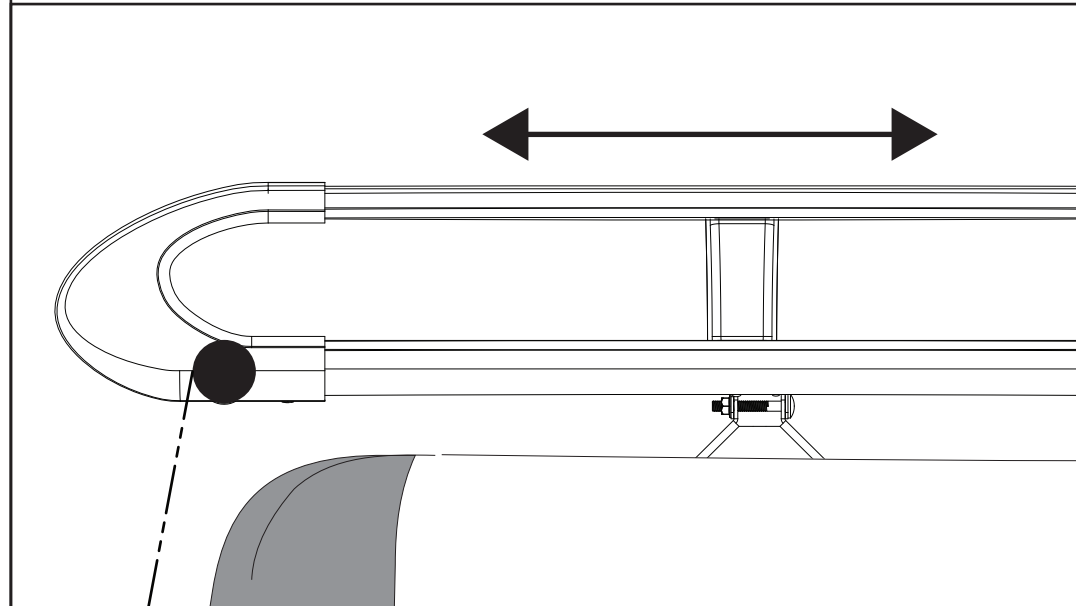


8.2

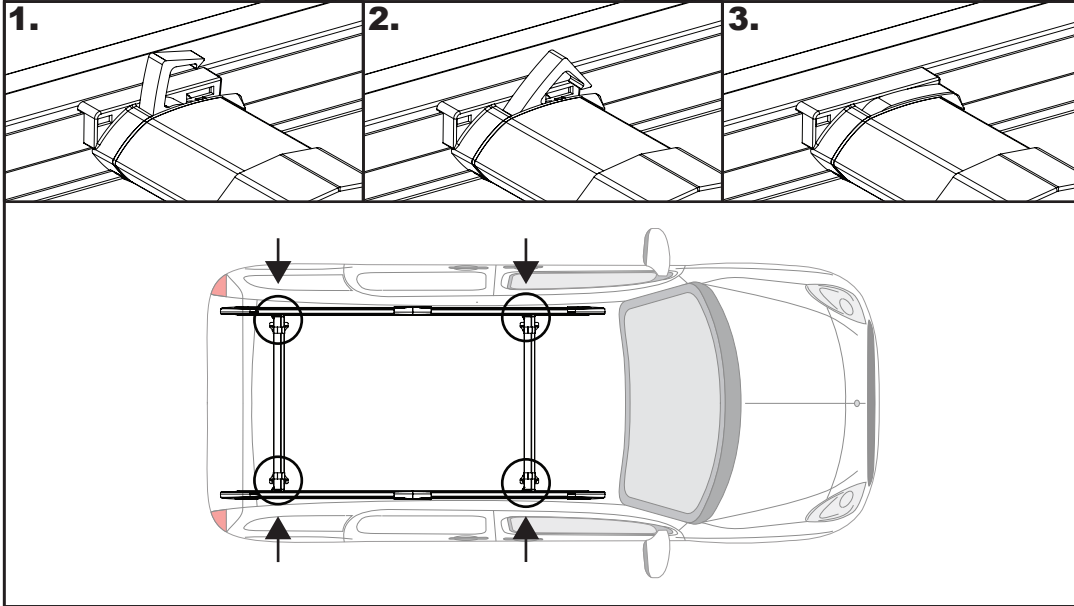


9

Adjust the position of the side rails to suit the rear roller.

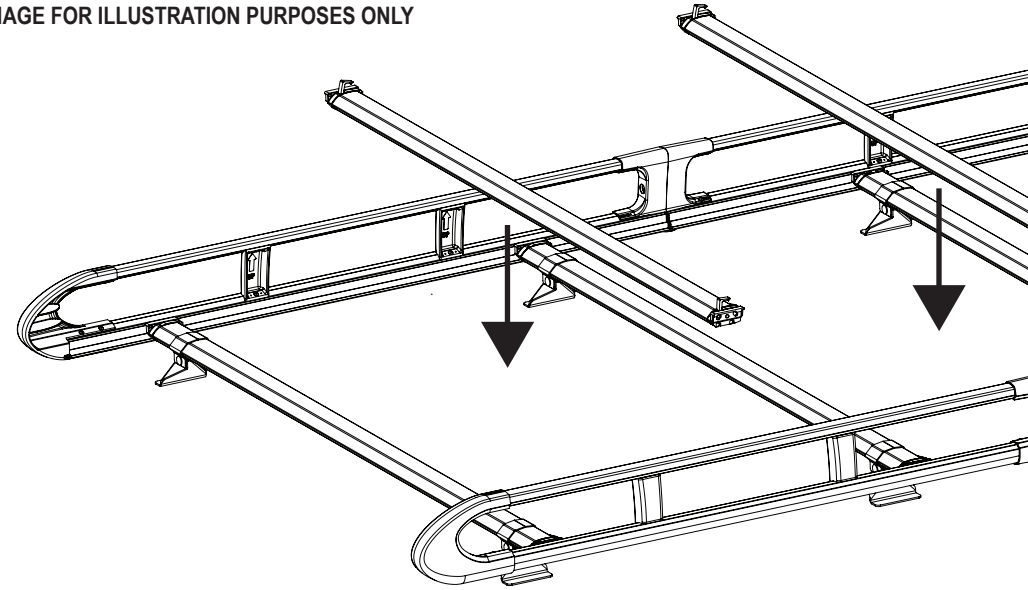


10 Push on the lever to secure the 2X fixed roof bars into position.

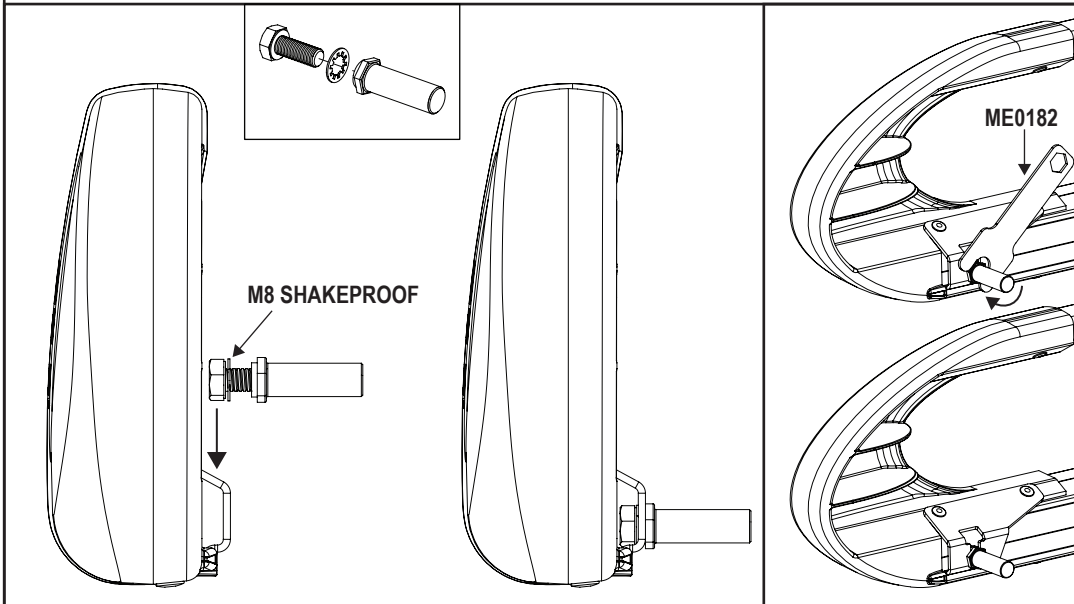


11 Place the remaining roof bars into position. See page 2 for the recommended distances between the roof bars. Once in position push on the lever to secure in place.

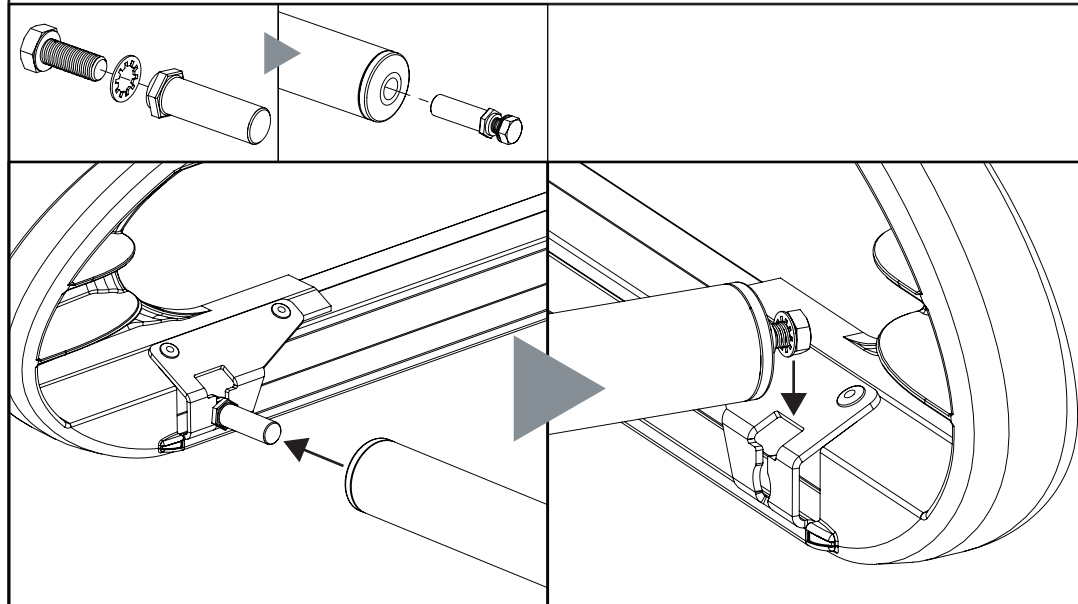
*IMAGE FOR ILLUSTRATION PURPOSES ONLY



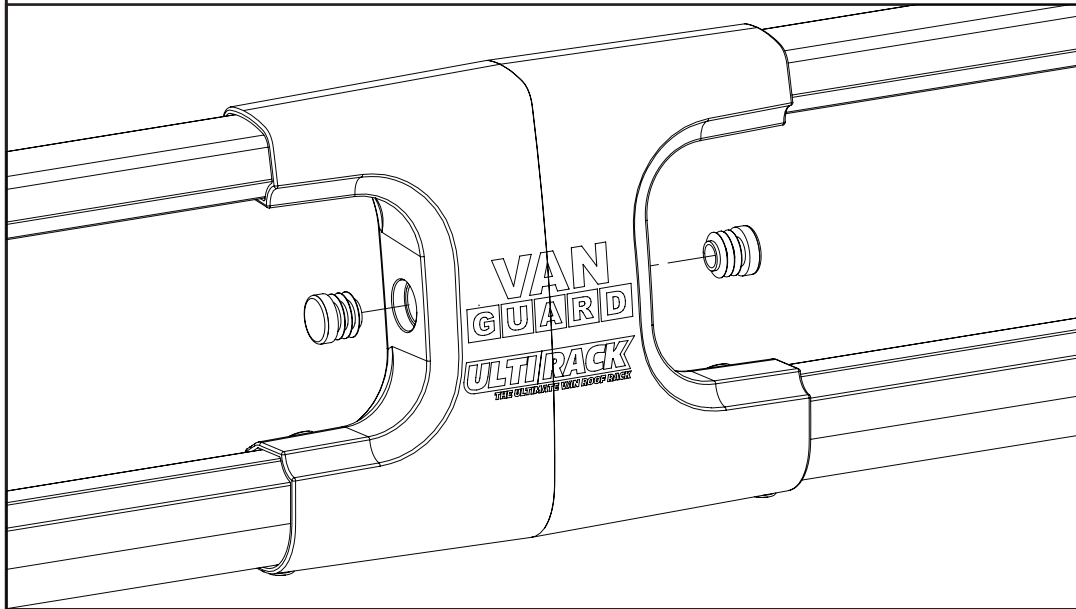
12 Secure the roller spigot to the **left hand roller bracket only** using a M8x20 hex bolt and a M8 shakeproof washer. Ensure that the shakeproof is on the inside of the roller bracket and that the spigot sits flush / straight. Tighten using the supplied tool.



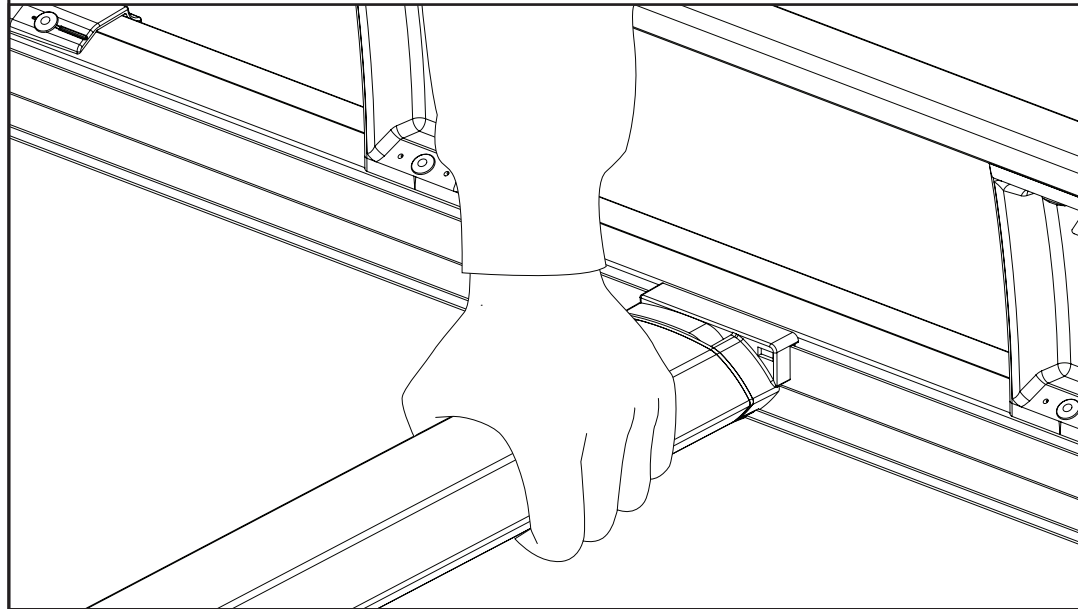
13 Assemble the roller spigot, M8x20 hex bolt and M8 shakeproof washer together. Place the assembly into the roller. Slide the roller onto the spigot fitted in step 12 and drop the other end into position. Tighten using the supplied tool (ME0182).



14 Push the plastic bungs into position (X4).



15 Check bars are fully secured.



16 Once fitted check fixings and parts to ensure they have been fully secured and tightened. Regularly check all fixings.



NOTES:

Maximum load capacity: 100KG (Including rack weight - please refer to page 2.) (Maximum load must be in accordance with the vehicle manufacturer's load bearing capacity. Please refer to the vehicles handbook.)

Regularly check all fixings.

Retain these instructions for future reference.