

Fitting Instructions - Read instructions carefully before fitting and follow them for correct use

VG248-3L2H2

3 bar aluminium roof rack - Dispatch / Expert / Scudo 2007 on / Pro-Ace



SUPPLIED COMPONENTS		#	DESCRIPTION	QTY			
		1	ROOF BAR	3			
		2	TOP HAT	6			
		3	TOP HAT COVER	6			
		4	SIDE RAIL	2			
		5	FIXING BRACKET	6			
		6	FIXING PLATE	6			
SUPPLIED FIXING KIT		#	DESCRIPTION	QTY			
					1	M6x35 COACH BOLT	6
					2	M6 SERRATED FLANGE NUT	30
					3	M6x16 COACH BOLT	12
					4	M6 WASHER	18
					5	RUBBER WASHER	24
					6	M6x20 COACH BOLT	12

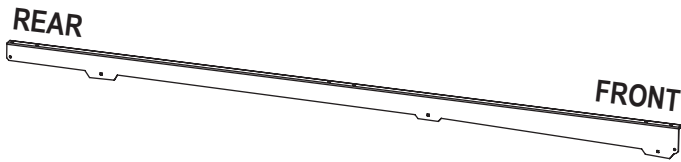
TOOLS REQUIRED: 10mm SPANNER / RATCHET, DRILL, 6.5mm DRILL BIT

This FITTING INSTRUCTION is the property of VAN GUARD ACCESSORIES LTD. and must not be used for manufacturing purposes, copied nor communicated in any way to third parties without written permission from VAN GUARD ACCESSORIES LTD.
IN8134_A - IW - 03/05/2013

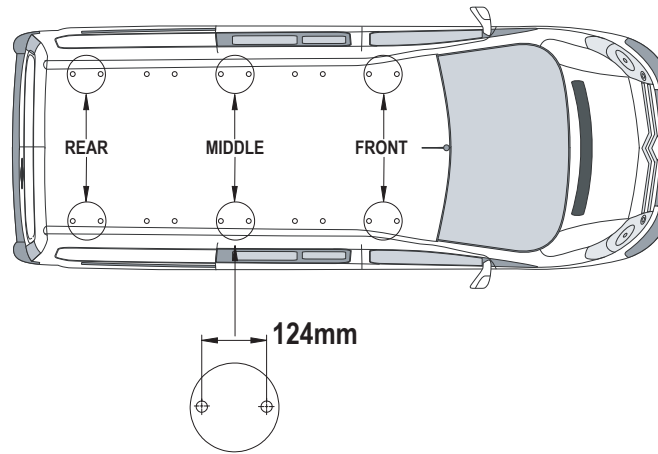
Van Guard Accessories Ltd
Fair Oak Close, Exeter Airport Business Park,
Exeter, Devon, EX5 2UL
www.van-guard.co.uk

1 The side rails are handed to suit both sides of the vehicle.

ILLUSTRATION BELOW SHOWS THE OFFSIDE SIDE RAIL

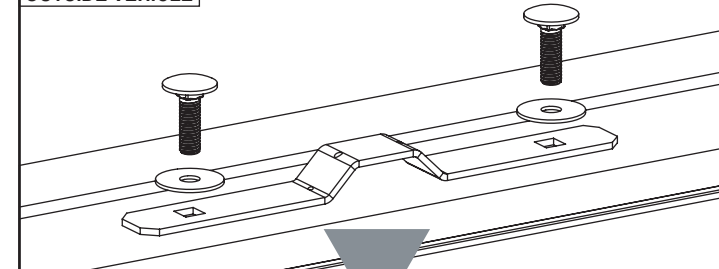


2 As the vehicle doesn't have fixing points it's necessary to drill the roof to create the fixing points. There are 5x2 indents on both sides of the vehicle, use the positions shown below to drill the fixing points, front, middle and rear on both sides with a $\text{Ø}6.5\text{mm}$ drill. **Do not drill the uncircled points.**

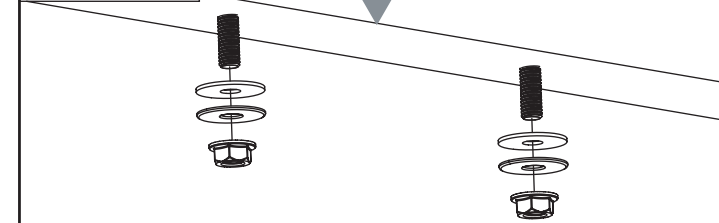


3 Secure the six fixing plates to the roof in the positions you've just drilled using M6x20 coach bolts and rubber washers, secure under the roof using rubber washers, M6 washers & M6 serrated nuts.

OUTSIDE VEHICLE

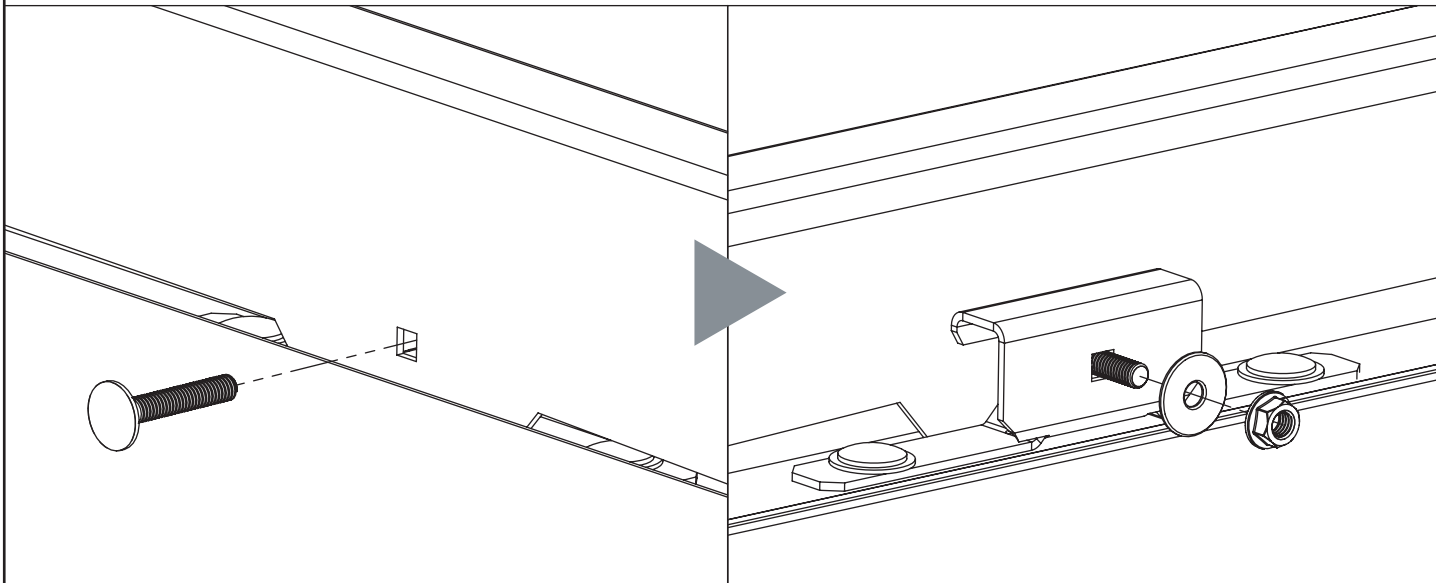


INSIDE VEHICLE

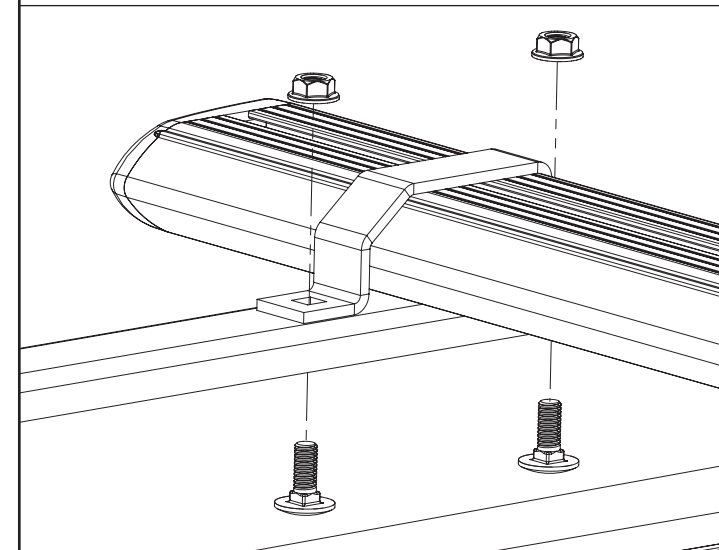


4 Place the side rails onto the roof ensuring that the top hat flange is facing inwards.

Loosely secure the side rails to the fixing points (3 per side) using fixing brackets, M6x35 coach bolts, M6 washers & M6 serrated nuts.



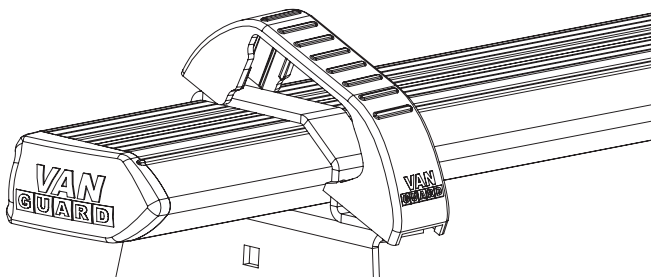
5 Place roof bars onto the side rails with the t-slot facing upwards, secure using top hat brackets, M6x16 coach bolts & M6 serrated nuts.



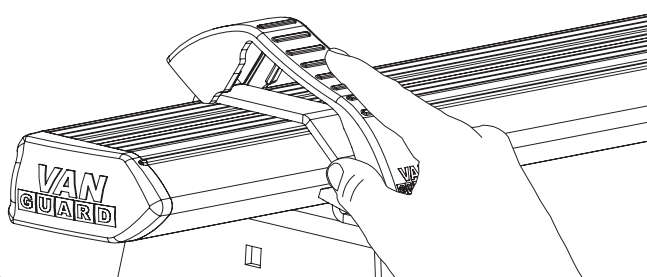
6

Flex the top hat covers over the top hat brackets into position as shown below. Ensure that the covers click into the front and rear of the top hat brackets.

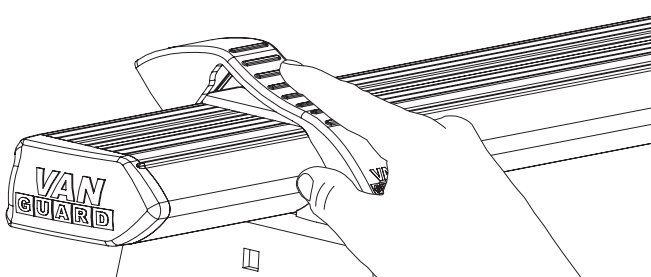
1.



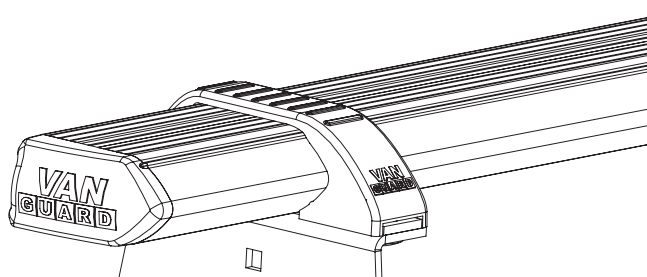
2.



3.



4.

**7**

Once in position tighten all fixings to 8Nm. Periodically check all fixings.



**TIGHTEN
TO
8Nm**

NOTES:

Maximum load is 55kg per bar. Please check that the vehicle manufacturers load bearing capacity for the roof is not exceeded. (Refer to the vehicle handbook)

Periodically check all fixings.

Retain these instructions for future reference.

VAN

GUARD